

# AVN042 Aviation Overwing Fuelling Nozzle

The Liquip AVN042 has been designed as an easily operated nozzle for (overwing) delivery of aviation fuels. Unlike normal nozzles, it is equipped with “power assist” dashpot operation, making it as light as a service station bowser nozzle. The body, handle and trigger are made from heavy duty, lightweight aluminium. The handle and trigger are easily replaceable and the body has wear ribs to protect when dragged.

- The Spout Adaptor will accept any of the four (4) available spouts.
- Optional Inlet Swivel.
- Seals are compatible with all Jet and aviation fuels.



## Operation

Pressure-balance design provides for small and constant finger force on the trigger regardless of the pump pressure. The Trigger opens a valve in order to deliver product. The bullet-shaped internal seal opens first, allowing the pressure inside the nozzle to equalise, making it easy to then open the product seal. Such ease of operation permits accurate, fine top-up without any surging and splashing.

## Technical Data

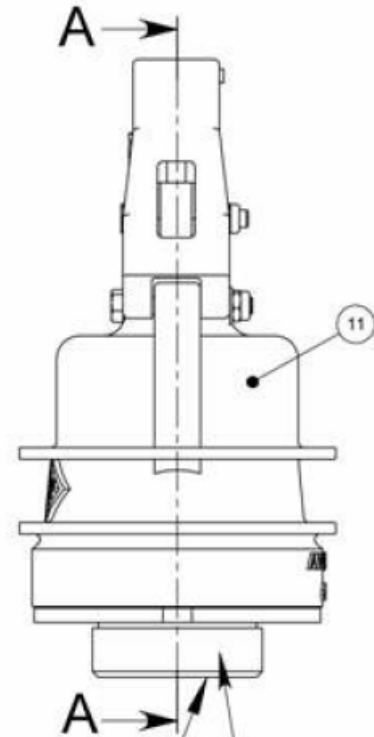
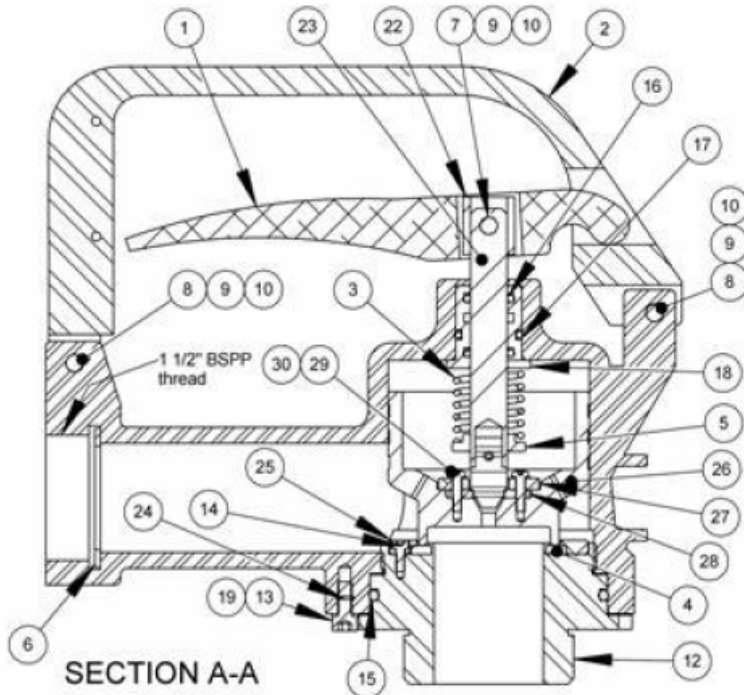
- SPECIFICATIONS:** Trigger force constant 60N at midpoint.  
 38mm (1 ½”) diameter flow through.  
 Only 50kPa pressure drop at 300 L/min with 32mm spout.
- WEIGHT:** 2.5kg with 32mm spout.
- MOUNTING:** 38mm (1½” BSPP female thread) inlet.
- MATERIALS:** Aluminium body, handle, trigger and adaptor outlet.  
 Stainless Steel shaft, pin and spring.  
 Viton and Polyurethane seals.
- DISMANTLING:** Remove capscrew (item 13), unscrew outlet adaptor (item 12). This will give access to all internals.
- ADJUSTMENT:** None.
- ASSOCIATED EQUIPMENT:** See next page.

## Ordering Information

PART NO:	DESCRIPTION
AVN042	Aviation 1 ½” Overwing Fuelling Nozzle.
AVN-25Z	Nozzle kit AVGAS Selective c/w 25mm AVGAS spout, dust cap, static clip and seals.
AVN-32Z	Nozzle kit AVGAS Selective c/w 32mm AVGAS spout, dust cap, static clip and seals.
AVN-38Z	Nozzle kit AVGAS Selective c/w 28mm AVGAS spout, dust cap, static clip and seals.
AVN-JZ	Nozzle Kit JET Selective c/w 38mm JET spout, dust cap, static clip and seals.

# AVN042 Aviation Overwing Fuelling Nozzle

## AVN042 FUELLING NOZZLE



Internal 1 1/4" BSPP thread  
External 2" BSPP thread

ITEM	PART No	DESCRIPTION	Default /QTY.	MATERIAL
1	AVN040-5	TRIGGER NOZZLE	1	ALUMINIUM
2	AVN040-4	HANDLE	1	ALUMINIUM
3	6152	COMPRESSION SPRING	1	ST STEEL
4	7517	SEAL PRODUCT OUTLET	1	VITON
5	AVN030-8	RETAINER SPRING NOZZLE	1	ALUMINIUM
6	GD38	SEAL INLET NOZZLE	1	POLYURETHANE
7	6617	BOLT METRIC	1	STEEL
8	6603	BOLT METRIC	2	STEEL
9	5267	WASHER FLAT	3	STEEL
10	4400	NUT HALF NYLOC	3	STEEL
11	AVN040-1	BODY NOZZLE	1	ALUMINIUM
12	AVN040-9	ADAPTOR FOR SPOUT NOZZLE	1	ALUMINIUM
13	0704	CAPSCREW METRIC	1	STEEL
14	6602	CAPSCREW METRIC	3	ST STEEL
15	3042	O-RING	1	VITON
16	0244	O-RING	2	VITON
17	0278	O-RING	1	VITON
18	ARO100-4	AIR RAM SHAFT BUSH	1	ACETAL
19	6498	WASHER SPRING	1	STEEL
20	7940	CAP	1	PVC
21	5695	CAP	1	PVC
22	7233	DAMPENER RUBBER	1	NEOPRENE
23	AVN042-10	SHAFT AND TIP ASSY	1	ST STEEL/ACETAL
24	3360	LOCTITE	1	LOCTITE
25	AVN040-6	RETAINER SEAL NOZZLE AVIATION	1	ALUMINIUM
26	AVN040-3	PISTON NOZZLE	1	ALUMINIUM
27	AVN042-1	RETAINER FOR SEAL	1	ALUMINIUM
28	7556	SEAL IN POPPET	1	VITON
29	6526	SCREW METRIC	4	ST STEEL
30	6527	WASHER SHK-PRF INT	4	ST STEEL

**X201005**

Issue: C

# AVN042 Aviation Overwing Fuelling Nozzle

## Accessories

Part No:

### SPOUTS

- ER250** 25mm (reduced) spout
- ER495** 32mm aluminium spout
- ER583** 38mm aluminium spout
- ER587-JET** Jet-Selective aluminium spout

### DUST CAPS

- GKG25** Buna-N dust cap & spring loaded chain suit 25mm spout
- GKG32** Buna-N dust cap & spring loaded chain suit 32mm spout
- GKG38** Buna-N dust cap & spring loaded chain suit 38mm spout
- GKG38-J** Buna-N dust cap & spring loaded chain suit Jet Selective spout

### ADAPTOR

- EK432** Brass adaptor to suit AVN040 o/w nozzle for fitting spouts.

### STRAINER

- ES418** Poly / stainless steel 100 mesh strainer suit EK432 adaptor

### SPLASH GUARD

- EK419** Buna-N guard suit EK432 adaptor

### STATIC CLAMPS

- EKG1200** Clamp & Lead



\* See also following page

# AVN042 Aviation Overwing Fuelling Nozzle

