

4th January 2016

SAMPI & LC Strainer and Air Eliminator Announcement

Dear Customers,

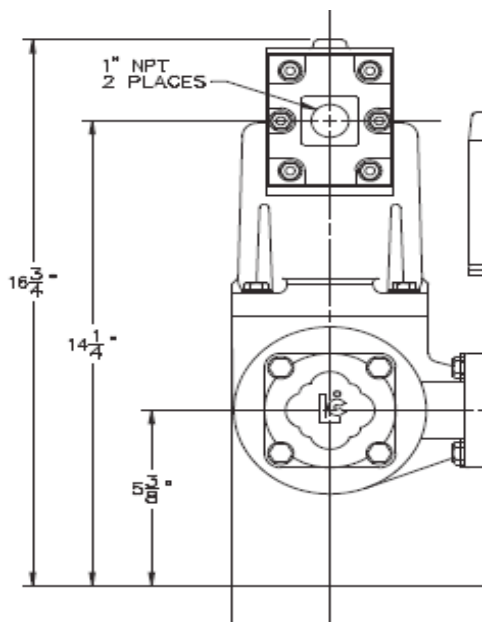
IDEX have recently informed all customers that starting from January 2016 all new SAMPI meters and new LC meters will be equipped with the LC designed strainer/air eliminator assembly.

This change is expected to improve quality performance, manufacturing and delivery efficiency.

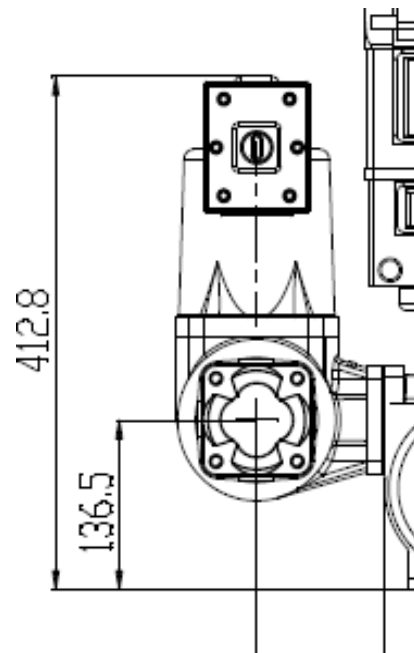
Liquip will still be able to supply SAMPI strainers and SAMPI air eliminators as spare parts as required by customers.

Below you can find drawings for SAMPI and LC meters where you can spot the (small) difference, which is basically just the strainer/air eliminator height (see below an example for M7, LC on the left in inches and SAMPI on the right in mm):

Ask Liquip for drawings of other Meters showing the new model strainer/air eliminator connected.



LC Meter with LC strainer/air eliminator



SAMPI Meter with LC strainer/air eliminator

This change is expected to have no major impact as the dimension difference is really no more than 2-2.5 cm and there will be no impact on features or performance of SAMPI or LC meters.

If you would like any further information please contact your local Liquip Representative.

Sincerely,

Liquip

T +61 2 9725 9000 | E: orders@liquip.com | W: www.liquip.com

www.liquip.com

ONE COMPANY. ONE WORLD. ONE SOURCE.™

Liquip International Pty Ltd

ABN 63 112 087 448
13 Hume Road Smithfield, NSW 2164 Australia
PO Box 7049 Wetherill Park, BC NSW 2164
T: +61 2 9725 9000
F: +61 2 9725 1252

